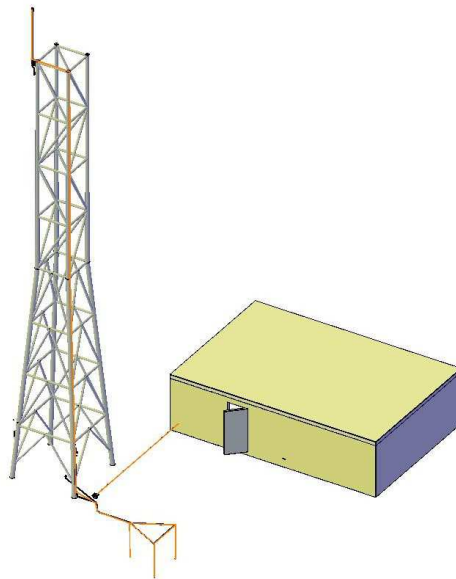


French Quality
World Wide Efficiency



Telecommunication tower



LPS FRANCE - GROUPE CEMASO SAS 3 RUE DU GOLF - 33700 MERIGNAC	Telecommunication tower h < 50	V1.1
	KITTELEPYL50	1/9
<i>info@lpsfr.com</i>	ExWork	Standard NF C17-102:2011

- Specifications

- This kit is for telecommunication tower.
- The level of protection chosen for this kind of structure is level III.
- The quantities below are valid for structures with a maximum height of 50 meters.
- For the freight quotation, thank you to contact us at : **info@lpsfr.com** please precise the delivery address and the reference : KITTELEPYL50
- Packing Kit :
1/2 packing 63x63x29cms
1 tube ø12x210cms
Total weight : 110kgs

LPS FRANCE – GROUPE CEMASO SAS 3 RUE DU GOLF – 33700 MERIGNAC	Telecommunication tower h < 50	V1.1
	KITTELEPYL50	2/9
<i>info@lpsfr.com</i>	ExWork	Standard NF C17-102:2011

Quantitative table accessories

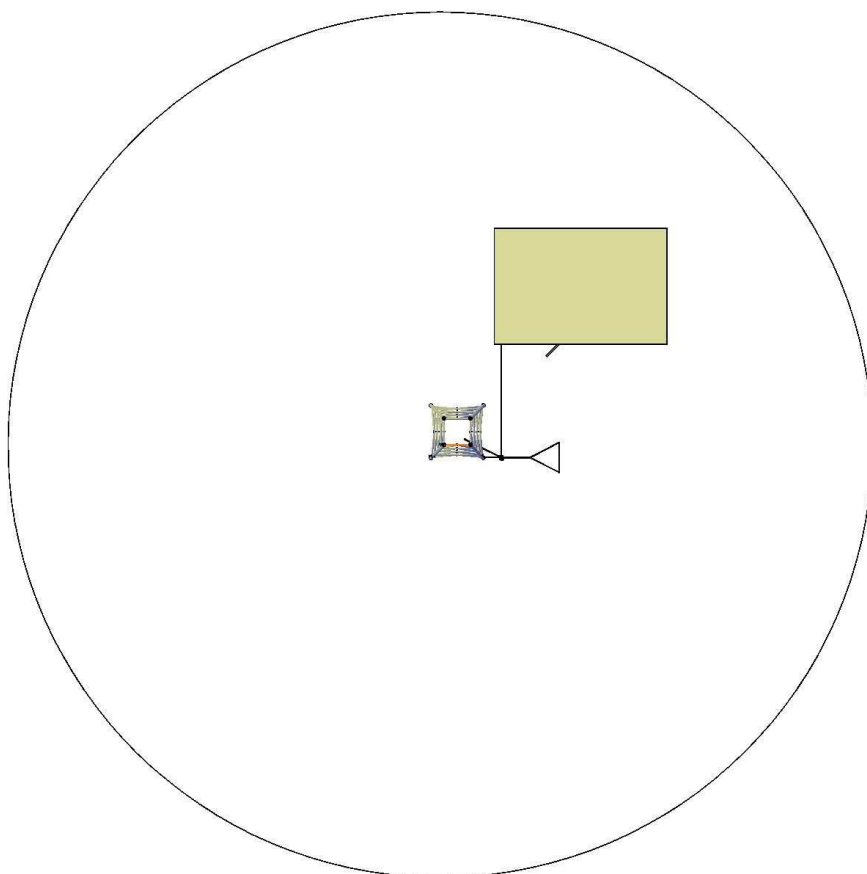
Nomenclature	Référence	Code produit	Désignation
1	10007	E13	Ellips 1.3
2	10012	RAPC02	Connection lightning rod
3	11121	MATI-E1	Mast first element
4	11221	MATIE-E2	Mast second element
5	11626	DPG-X1	Offset fixing mast
6	22041	COND-PCE60	Conduct 30x2mm
7	43403	ED-COLBI	Collar clamp
8	43603	ED-CMPT	Lightning strike counter
9	43604	ED-JC01	Cut off control joint
10	43605	ED-GP01	Protection sheath
11	43616	ET-REGP	Inspection pit
12	43500	RAC-CU	Mechanical connection in copper
13	34348	COS-P01	Connection clamp
14	34146	PIQNA-1620	Ground rod

LPS FRANCE – GROUPE CEMASO SAS 3 RUE DU GOLF – 33700 MERIGNAC	Telecommunication tower h < 50	V1.1
	KITTELEPYL50	3/9
<i>info@lpsfr.com</i>	ExWork	Standard NF C17-102:2011

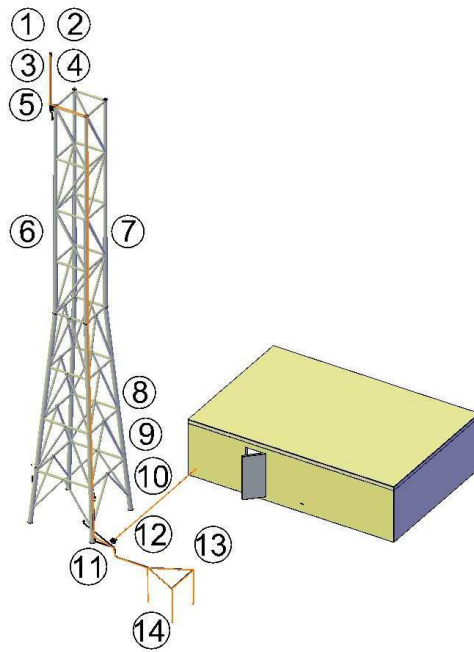
SCHEMATIC DIAGRAM

LPS FRANCE - GROUPE CEMASO SAS 3 RUE DU GOLF - 33700 MERIGNAC	Telecommunication tower h < 50	V1.1
	KITTELEPYL50	4/9
<i>info@lpsfr.com</i>	ExWork	Standard NF C17-102:2011

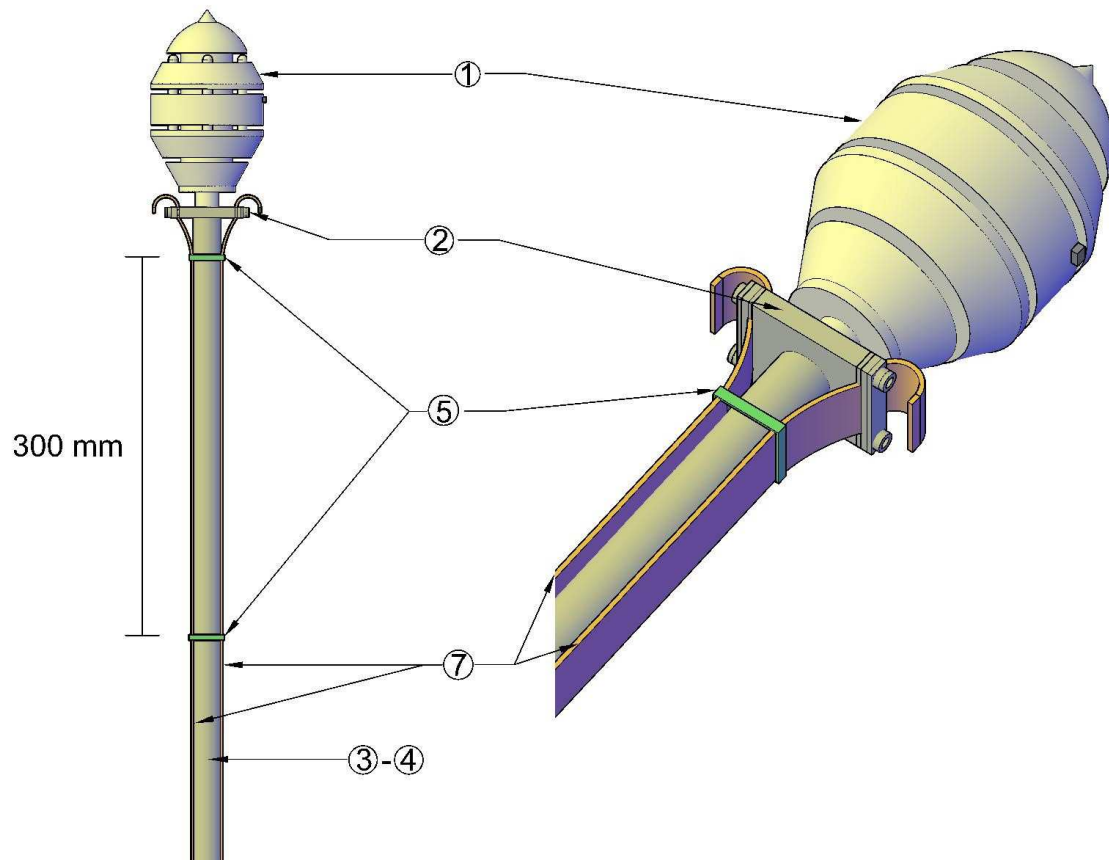
Protection radius 23 meters



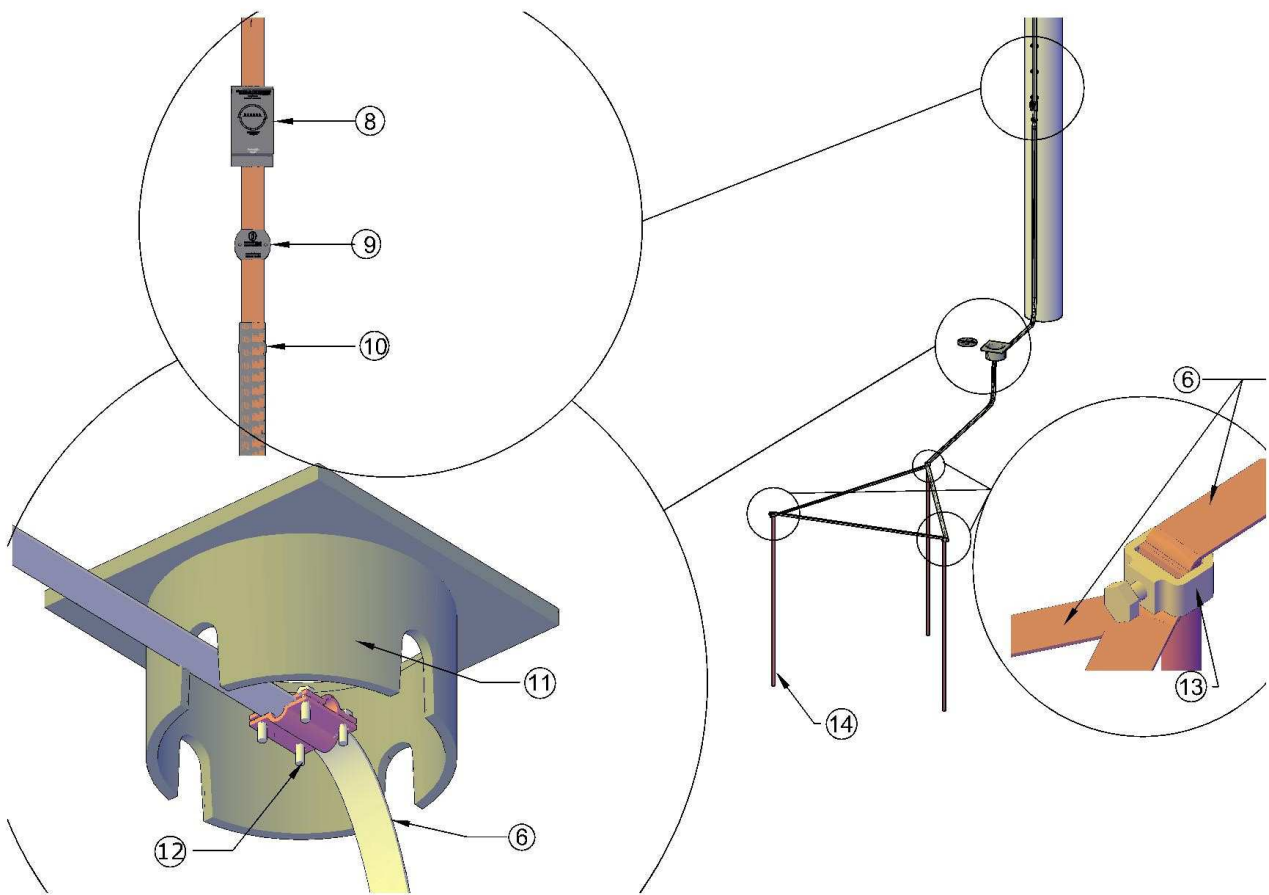
LPS FRANCE - GROUPE CEMASO SAS 3 RUE DU GOLF - 33700 MERIGNAC	Telecommunication tower h < 50	V1.1
	KITTELEPYL50	5/9
<i>info@lpsfr.com</i>	ExWork	Standard NF C17-102:2011



LPS FRANCE - GROUPE CEMASO SAS 3 RUE DU GOLF - 33700 MERIGNAC	Telecommunication tower h < 50	V1.1
	KITTELEPYL50	6/9
<i>info@lpsfr.com</i>	ExWork	Standard NF C17-102:2011



LPS FRANCE - GROUPE CEMASO SAS 3 RUE DU GOLF - 33700 MERIGNAC	Telecommunication tower h < 50	V1.1
	KITTELEPYL50	7/9
<i>info@lpsfr.com</i>	ExWork	Standard NF C17-102:2011



LPS FRANCE - GROUPE CEMASO SAS 3 RUE DU GOLF - 33700 MERIGNAC	Telecommunication tower h < 50	V1.1
	KITTELEPYL50	8/9
<i>info@lpsfr.com</i>	ExWork	Standard NF C17-102:2011



www.lpsfr.com

LPS FRANCE - GROUPE CEMASO SAS 3 RUE DU GOLF - 33700 MERIGNAC	Telecommunication tower h < 50	V1.1
	KITTELEPYL50	9/9
info@lpsfr.com	ExWork	Standard NF C17-102:2011