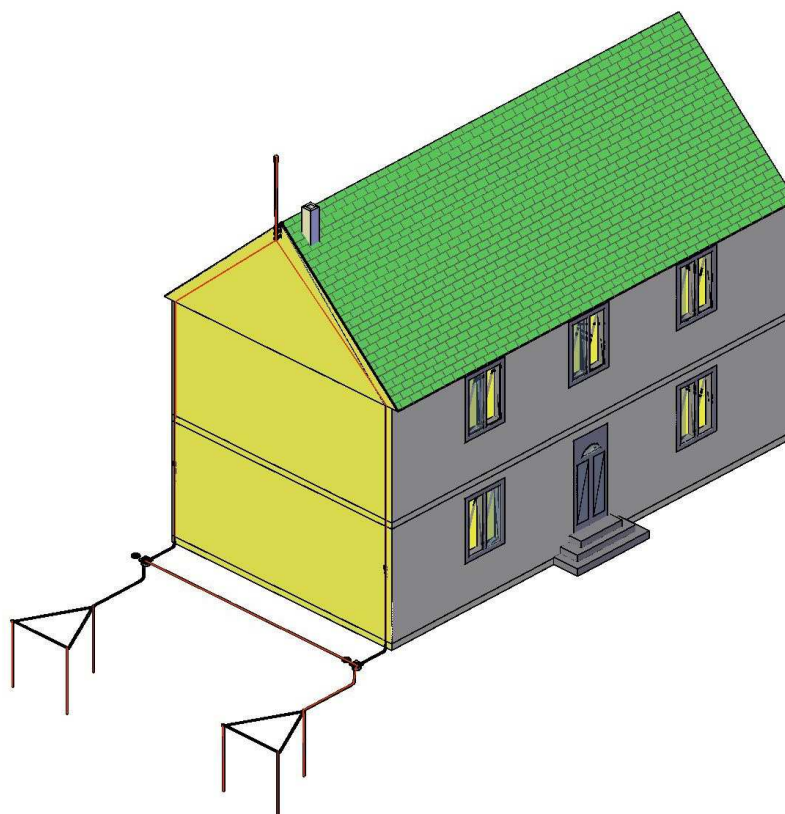


French Quality
World Wide Efficiency



House kit



LPS FRANCE - GROUPE CEMASO SAS 3 RUE DU GOLF - 33700 MERIGNAC	House kit h < 10	V1.1
	KITMAI10	1/9
<i>info@lpsfr.com</i>	ExWork	Standard NF C17-102:2011

- Specifications

- This kit is for individual house.
- The level of protection chosen for this kind of structure is level III.
- To specific structure, such as hospitals, nursing home... please contact us, a complementary study will be necessary.
- The quantities below are valid for structures with a maximum height of 10 meters.
- The structure dimension should be max. : 20x15 meters.
- For the freight quotation, thank you to contact us at : **info@lpsfr.com** please precise the delivery address and the reference : KITHOUS10
- For optimal protection, a surge arrester type 1 should be installed into the panel of the general power supply to ensure the protection of the sensitive equipment supplied. (Quotation on request).
- Packing Kit :
 1/2 packing 63x63x29cms
 1 tube ø12x210cms
 Total weight : 55kgs

LPS FRANCE – GROUPE CEMASO SAS 3 RUE DU GOLF – 33700 MERIGNAC	House kit h < 10	V1.1
	KITMAI10	2/9
<i>info@lpsfr.com</i>	ExWork	Standard NF C17-102:2011

Quantitative table accessories

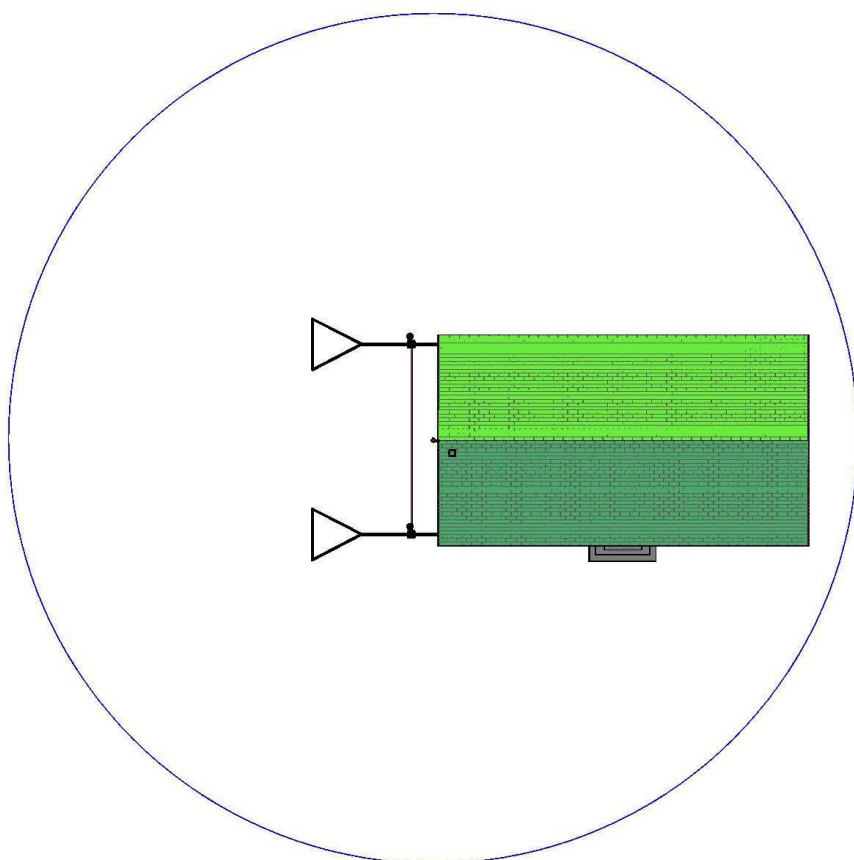
Nomenclature	Référence	code produit	Désignation
1	10006	E12 NL	Ellips 1.2
2	10012	RAPCO2	Connection lightning rod
3	11121	MATI-E1	Mast first element
4	11221	MATIE-E2	Mast second element
5	43403	ED-COLBI	Collar clamp
6	11521	DPG-FIXH2	Offset fixing mast
7	22041	COND-PCE60	Conduct 30x2mm
8	43108	CLIP-PLA	Clip inox
9	43603	ED-CMPT	Lightning strike counter
10	43604	ED-JC01	Cut off control joint
11	43605	ED-GP01	Protection sheath
12	43616	ET-REGP	Inspection pit
13	43500	RAC-CU	Mechanical connection in copper
14	34348	COS-P01	Connection clamp
15	34146	PIQNA-1620	Ground rod

LPS FRANCE – GROUPE CEMASO SAS 3 RUE DU GOLF – 33700 MERIGNAC	House kit h < 10	V1.1
	KITMAI10	3/9
<i>info@lpsfr.com</i>	ExWork	Standard NF C17-102:2011

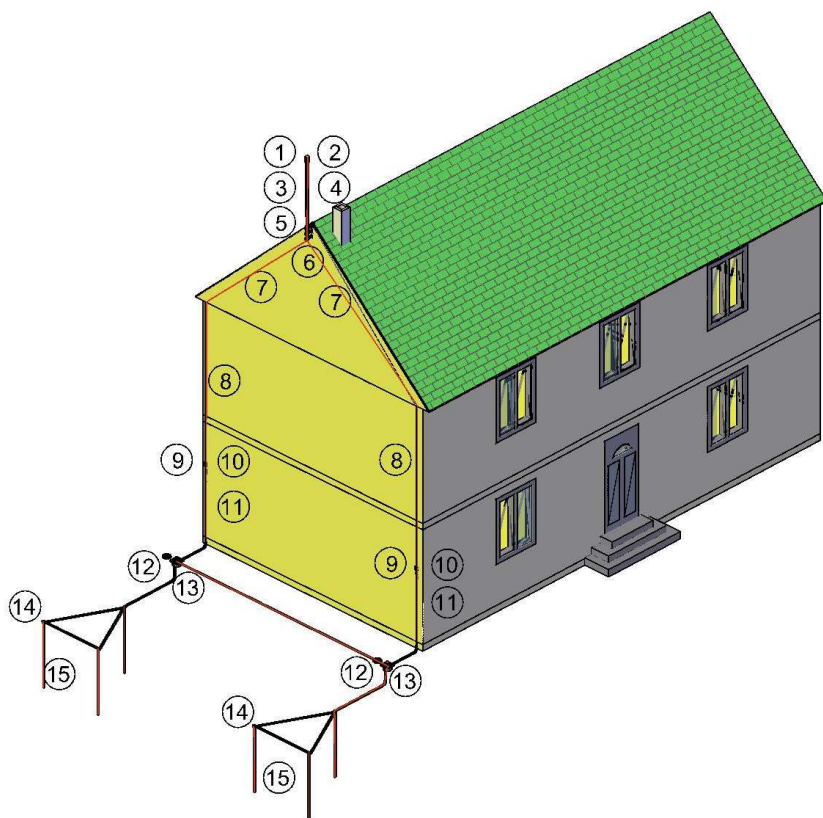
SCHEMATIC DIAGRAM

LPS FRANCE - GROUPE CEMASO SAS 3 RUE DU GOLF - 33700 MERIGNAC	House kit h < 10	V1.1
	KITMAI10	4/9
<i>info@lpsfr.com</i>	ExWork	Standard NF C17-102:2011

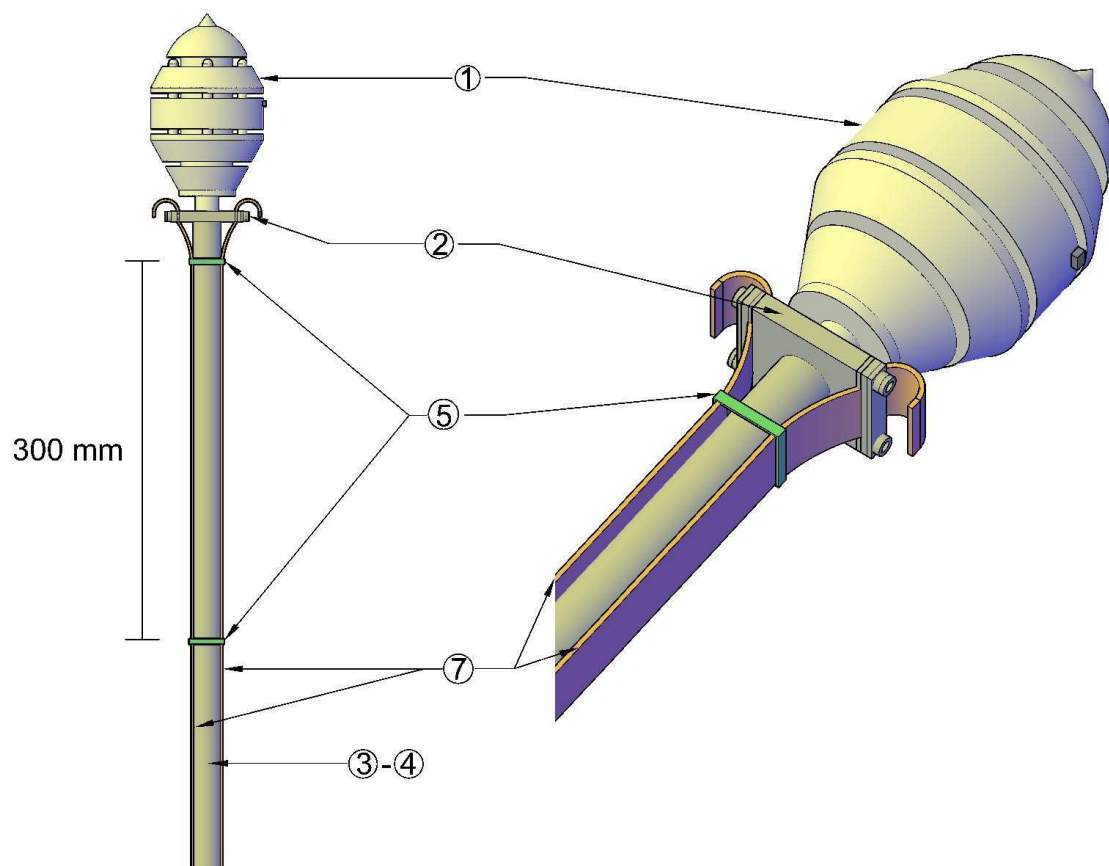
Protection radius 23 meters



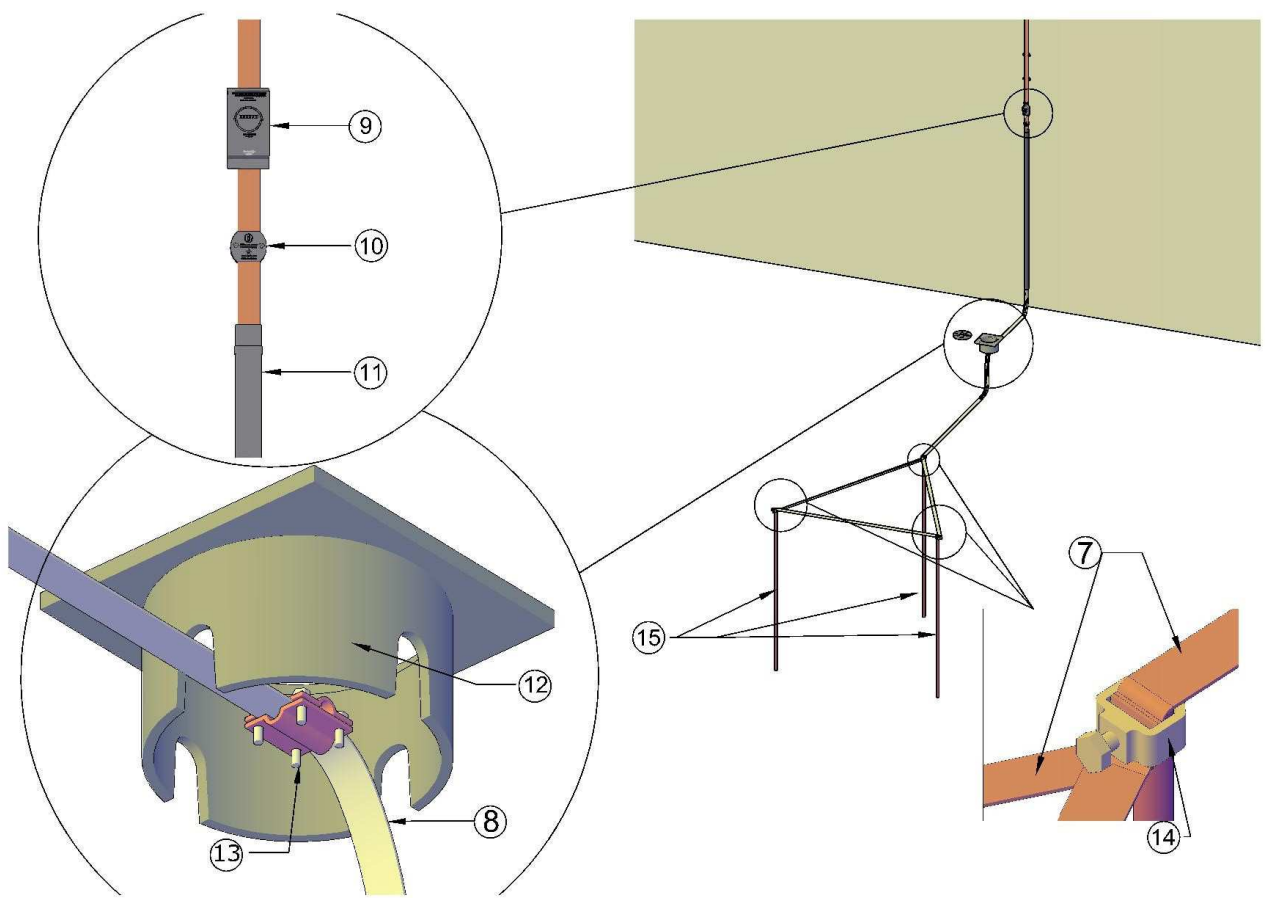
LPS FRANCE - GROUPE CEMASO SAS 3 RUE DU GOLF - 33700 MERIGNAC	House kit h < 10	V1.1
	KITMAI10	5/9
<i>info@lpsfr.com</i>	ExWork	Standard NF C17-102:2011



LPS FRANCE – GROUPE CEMASO SAS 3 RUE DU GOLF – 33700 MERIGNAC	House kit h < 10	V1.1
	KITMAI10	6/9
<i>info@lpsfr.com</i>	ExWork	Standard NF C17-102:2011



LPS FRANCE - GROUPE CEMASO SAS 3 RUE DU GOLF - 33700 MERIGNAC	House kit h < 10	V1.1
	KITMAI10	7/9
<i>info@lpsfr.com</i>	ExWork	Standard NF C17-102:2011



LPS FRANCE - GROUPE CEMASO SAS 3 RUE DU GOLF - 33700 MERIGNAC	House kit h < 10	V1.1
	KITMAI10	8/9
<i>info@lpsfr.com</i>	ExWork	Standard NF C17-102:2011



www.lpsfr.com

LPS FRANCE - GROUPE CEMASO SAS 3 RUE DU GOLF - 33700 MERIGNAC	House kit h < 10	V1.1
	KITMAI10	9/9
info@lpsfr.com	ExWork	Standard NF C17-102:2011