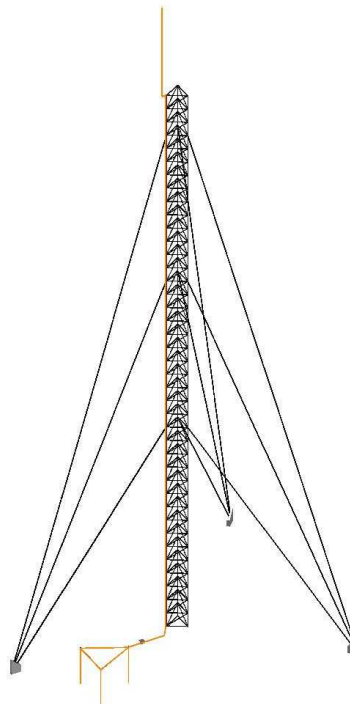


French Quality  
World Wide Efficiency



## Guyed tower



LPS FRANCE - GROUPE CEMASO SAS 3 RUE DU GOLF - 33700 MERIGNAC	Guyed tower h < 50	V1.1
	KITPYL50	1/9
<i>info@lpsfr.com</i>	ExWork	Standard NF C17-102:2011

## • Specifications

- This kit is for guyed tower.
- The level of protection chosen for this kind of structure is level III.
- The quantities below are valid for structures with a maximum height of 50 meters.
- For the freight quotation, thank you to contact us at : **info@lpsfr.com**  
please precise the delivery address and the reference : KITPYL50
- Packing Kit :  
1/2 packing 63x63x29cms  
1 tube ø12x210cms  
Total weight : 110kgs

LPS FRANCE – GROUPE CEMASO SAS 3 RUE DU GOLF – 33700 MERIGNAC	Guyed tower h < 50	V1.1
	KITPYL50	2/9
<i>info@lpsfr.com</i>	ExWork	Standard NF C17-102:2011

## Quantitative table accessories

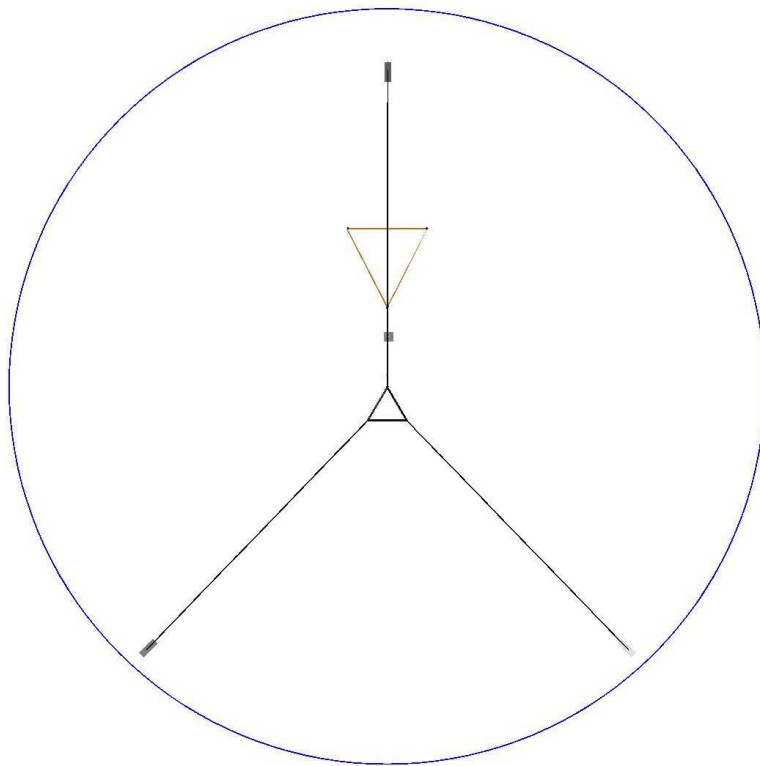
Nomenclature	Référence	code produit	Désignation
1	10006	E10 NL	Ellips 1.0
2	10012	RAPC02	Connection lightning rod
3	11121	MATI-E1	Mast first element
4	11221	MATIE-E2	Mast second element
5	43403	ED-COLBI	Collar clamp
6	11521	DPG-FIXH2	Offset fixing mast
7	22041	COND-PCE60	Conduct 30x2mm
8	43108	CLIP-PLA	Clip inox
9	43603	ED-CMPT	Lightning strike counter
10	43604	ED-JC01	Cut off control joint
11	43605	ED-GP01	Protection sheath
12	43616	ET-REGP	Inspection pit
13	43500	RAC-CU	Mechanical connection in copper
14	34348	COS-P01	Connection clamp
15	34146	PIQNA-1620	Ground rod

LPS FRANCE – GROUPE CEMASO SAS 3 RUE DU GOLF – 33700 MERIGNAC	Guyed tower h < 50	V1.1
	KITPYL50	3/9
<i>info@lpsfr.com</i>	ExWork	Standard NF C17-102:2011

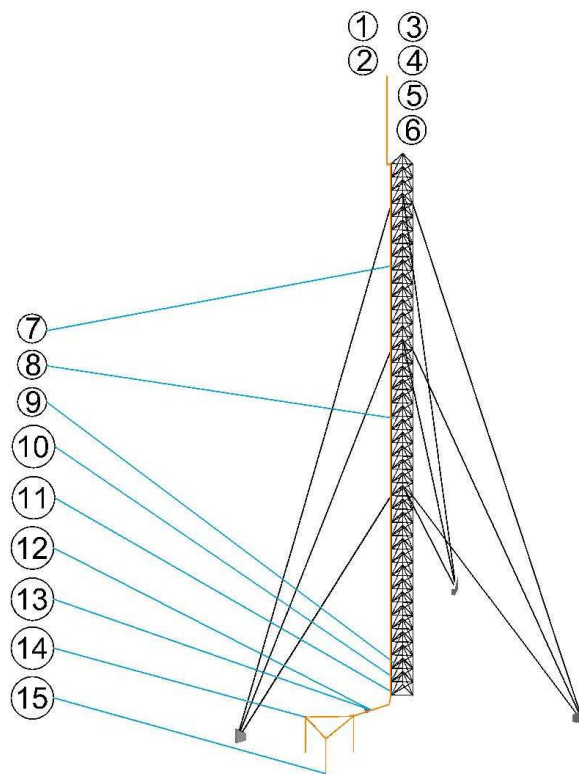
# SCHEMATIC DIAGRAM

LPS FRANCE - GROUPE CEMASO SAS 3 RUE DU GOLF - 33700 MERIGNAC	Guyed tower h < 50	V1.1
	KITPYL50	4/9
<i>info@lpsfr.com</i>	ExWork	Standard NF C17-102:2011

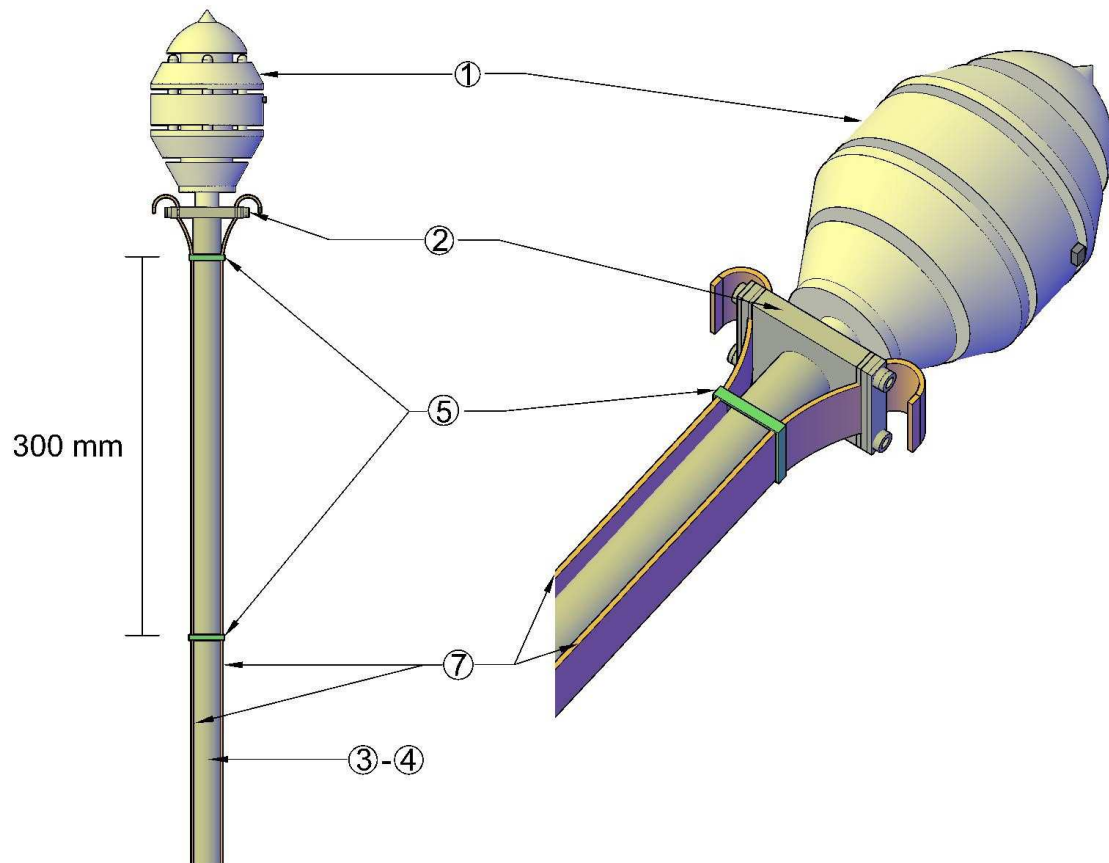
## Protection radius 23 meters



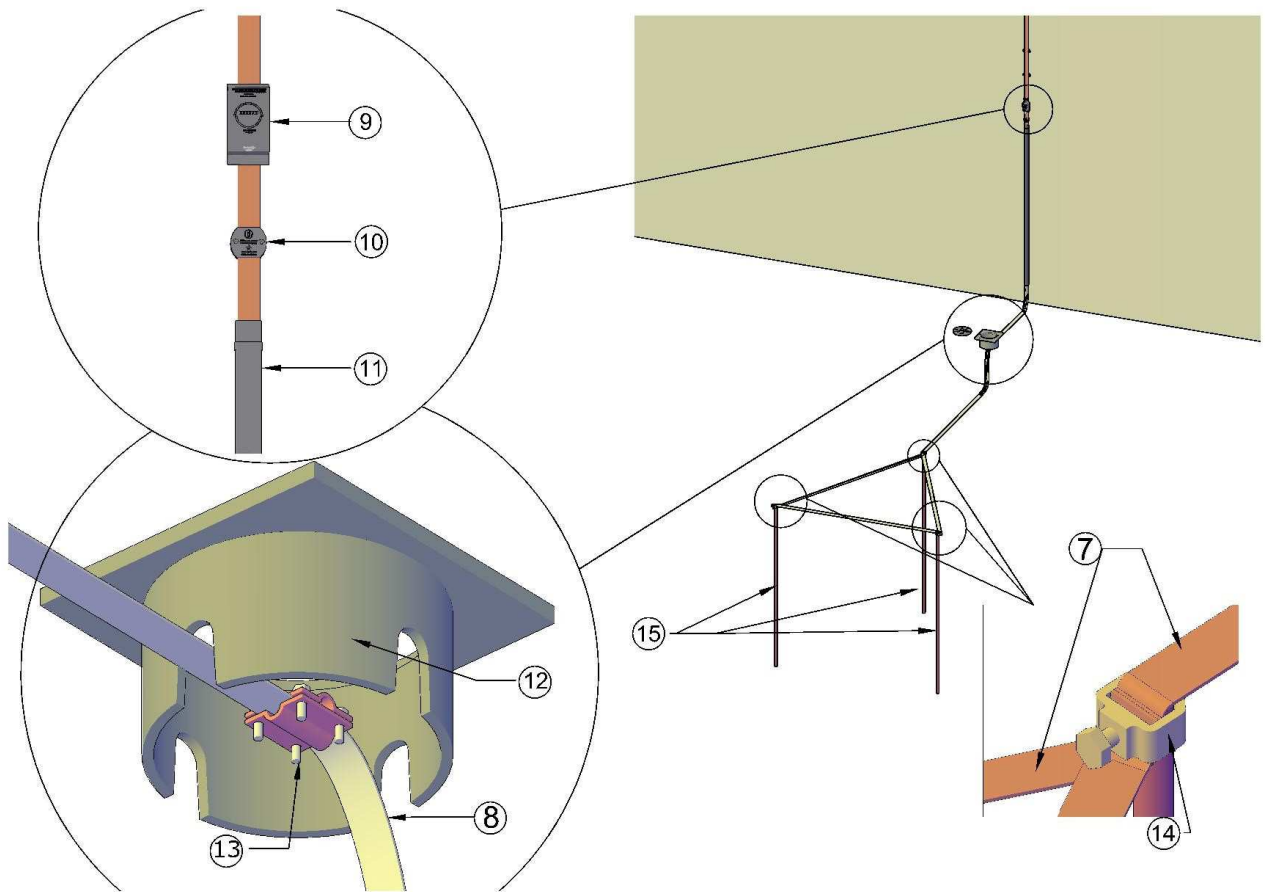
LPS FRANCE - GROUPE CEMASO SAS 3 RUE DU GOLF - 33700 MERIGNAC	Guyed tower $h < 50$	V1.1
	KITPYL50	5/9
<i>info@lpsfr.com</i>	ExWork	Standard NF C17-102:2011



LPS FRANCE - GROUPE CEMASO SAS 3 RUE DU GOLF - 33700 MERIGNAC	Guyed tower h < 50	V1.1
	KITPYL50	6/9
<i>info@lpsfr.com</i>	ExWork	Standard NF C17-102:2011



LPS FRANCE - GROUPE CEMASO SAS 3 RUE DU GOLF - 33700 MERIGNAC	Guyed tower h < 50	V1.1
	KITPYL50	7/9
<i>info@lpsfr.com</i>	ExWork	Standard NF C17-102:2011



LPS FRANCE - GROUPE CEMASO SAS 3 RUE DU GOLF - 33700 MERIGNAC	Guyed tower h < 50	V1.1
	KITPYL50	8/9
<i>info@lpsfr.com</i>	ExWork	Standard NF C17-102:2011





[www.lpsfr.com](http://www.lpsfr.com)

LPS FRANCE - GROUPE CEMASO SAS 3 RUE DU GOLF - 33700 MERIGNAC	Guyed tower h < 50	V1.1
	KITPYL50	9/9
<a href="mailto:info@lpsfr.com">info@lpsfr.com</a>	ExWork	Standard NF C17-102:2011